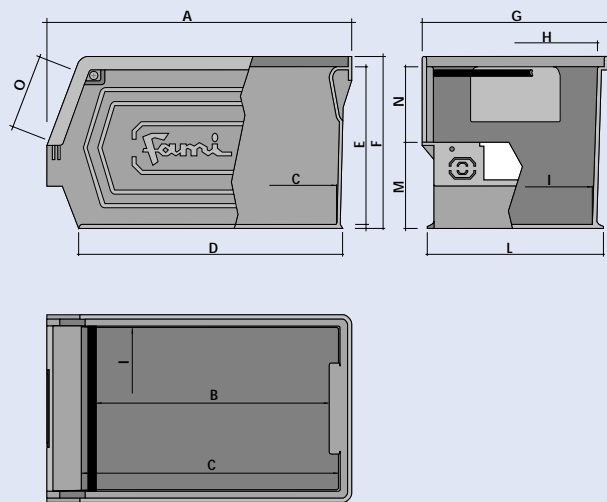


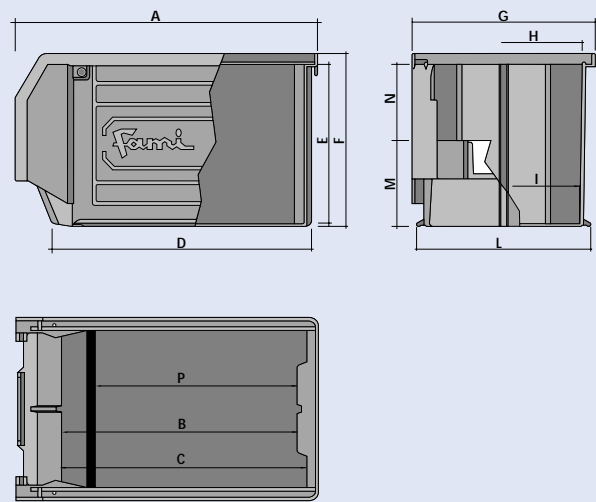
ZEUS-COMPAT SERIES STACKING CONTAINERS - TECHNICAL SPECIFICATIONS



SERIES ZEUS



SERIES COMPAT



SERIES ZEUS

container art.	A	B	C	D	E	F	G	H	I	L	M	N	O
F PL 0151 00 ..	77	-	56	59	32	36	50	40	38	47	18	14	-
F PL 0951 00 ..	95	-	63	67	44	52	104	93	90	99	27	18	-
F PL 4951 00 ..	350	-	293	310	132	145	468	439	431	455	76	60	127
F PL 8151 00 ..	530	362	430	450	275	300	470	435	428	456	150	131	148
F PL 8951 00 ..	715	593	615	634	276	300	470	435	428	458	151	131	148

The technical data contained in the above table is approximate. FAMI SpA reserves the right to make any modifications it sees fit to improve the performance and appearance of products. The manufacturer is not liable for any printing errors.

SERIES COMPAT

container art.	A	B	C	D	E	F	G	H	I	L	M	N	P
F PM 1751 00 ..	166	132	130	135	65	74	110	87	87	99	34	33	-
F PM 2551 00 ..	233	189	190	200	111	123	149	127	125	141	60	52	-
F PM 3351 00 ..	340	272	284	295	130	143	209	185	182	200	71	60	-
F PM 4151 00 ..	345	268	277	290	185	200	209	180	178	200	100	87	-
F PM 4251 00 ..	345	268	277	290	185	200	209	180	178	200	100	87	240
F PM 5751 00 ..	497	425	437	446	129	143	310	285	280	301	71	59	-
F PM 6551 00 ..	500	424	434	440	185	200	312	285	282	302	100	89	-
F PM 6651 00 ..	500	424	434	440	185	200	312	285	282	302	100	89	393
F PM 7351 00 ..	497	432	434	450	285	300	313	278	278	302	149	138	-
F PM 7451 00 ..	497	432	434	450	285	300	313	278	278	302	149	138	393

The technical data contained in the above table is approximate. FAMI SpA reserves the right to make any modifications it sees fit to improve the performance and appearance of products. The manufacturer is not liable for any printing errors.